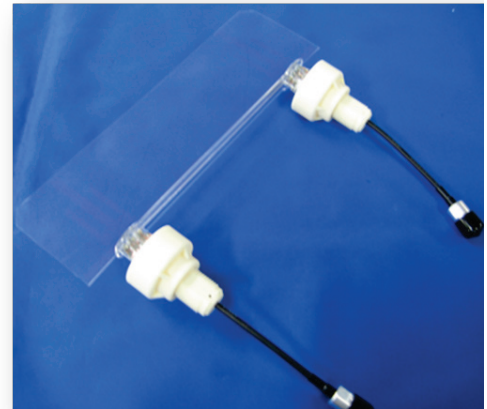


Frequency Range	728-894
	1427-1511
	1710-1880
	1920-2170
Polarization	2300-2690
	Vertical
Half-Power Beam Width	360°

Type **GN00069**

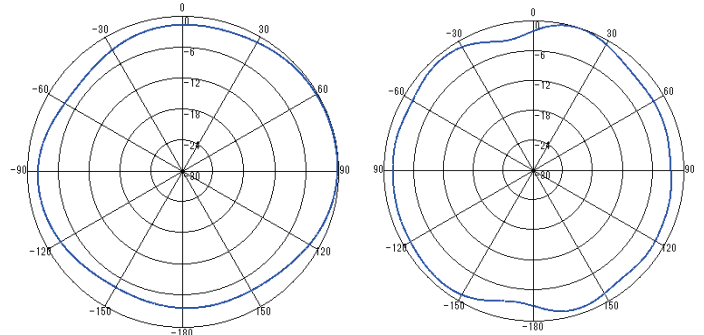
Visible Light Transmittance Antenna
Indoor Multi-band Omni Antenna Vertical Polarization [V × 2]



Electrical Specifications

Frequency Range	Low band	728~ 894MHz
	High band	1427~ 1511MHz
		1710~ 1880MHz
		1920~ 2170MHz
		2300~ 2690MHz
Impedance	50 Ω	
Polarization	Vertical × 2	
V.S.W.R	≦ 2.0	
Half-Power Beam Width / Hor.	Omni(6dB p-p)	
Half-Power Beam Width / Vert.	< 90deg	
Gain	≧ 0dBi	
Max. Power per Input	2W @1port	
IM3	< -150dBc @1W × 2	
Operating Temperature	-10 ~ +50°C	
Operating Humidity	5 ~ 95%	
Weight	Approx. 250g	

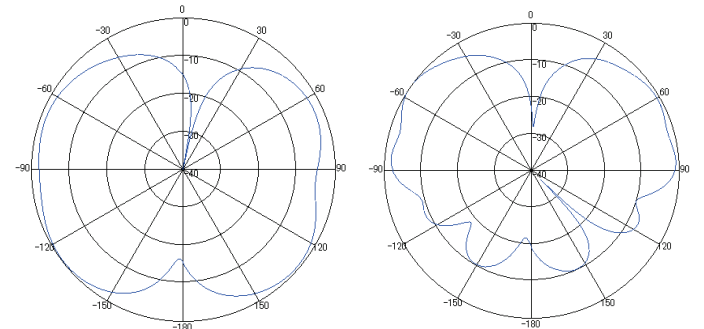
Horizontal Pattern



Low band

High band

Vertical Pattern



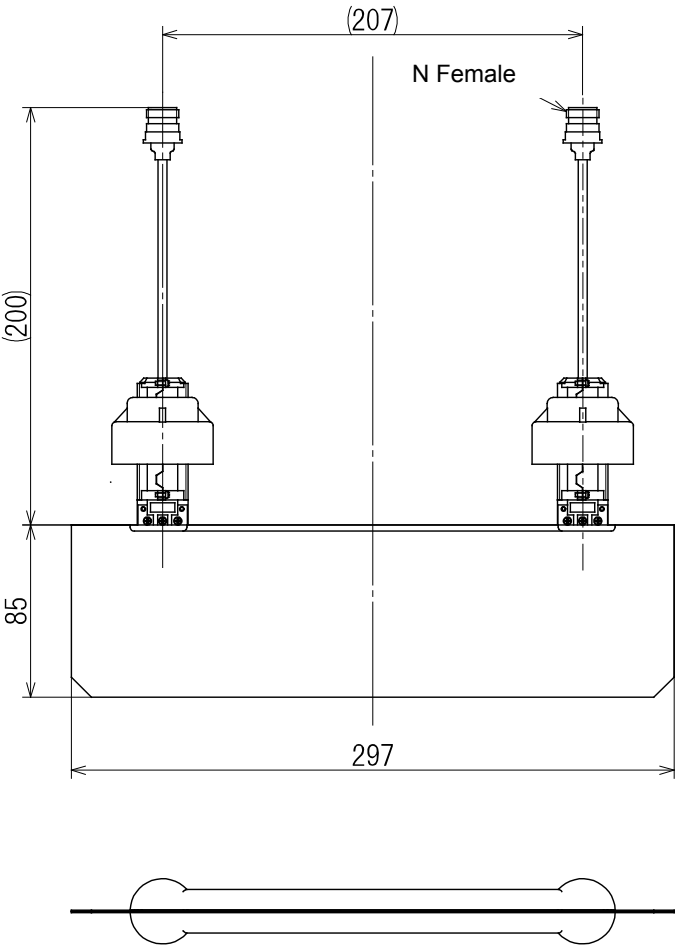
Low band

High band

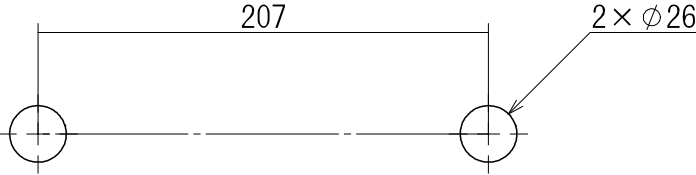
Specifications are subject to change without notice

Type **GN00069**

Antenna Dimensions



Pattern of holes into the ceiling



The design and sizes are subject to change without notice.