

## Visible Light Transmittance Antenna

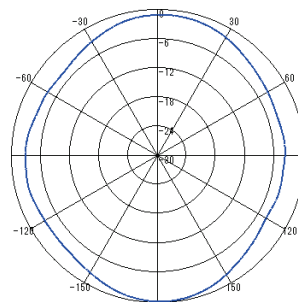
### Indoor Multi-band Omni Antenna Vertical Polarization [V × 2]



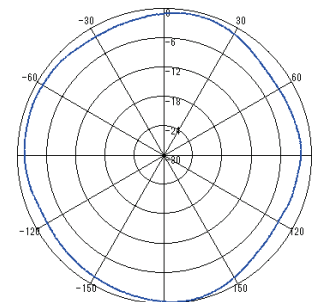
#### Electrical Specifications

Frequency Range	1427MHz ~ 3800MHz
Impedance	50 Ω
Polarization	Vertical × 2
V.S.W.R	≦ 2.0
Gain	≧ 0dBi
Half-Power Beam Width / Hor.	Omni(6dB p-p)
Half-Power Beam Width / Vert.	< 90deg
Max. Power per Input	2W @1port
IM3	< -150dBc @1W × 2
Operating Temperature	-10 ~ +50°C
Operating Humidity	5 ~ 95%
Weight	Approx. 250g

#### Horizontal Pattern

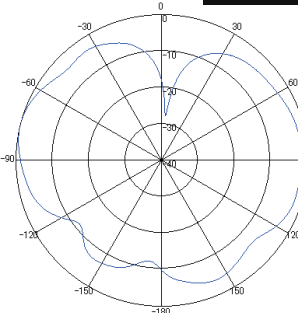


2.6GHz band

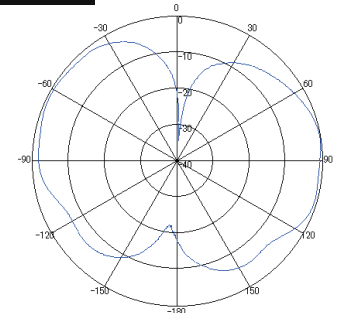


3.5GHz band

#### Vertical Pattern



2.6GHz band

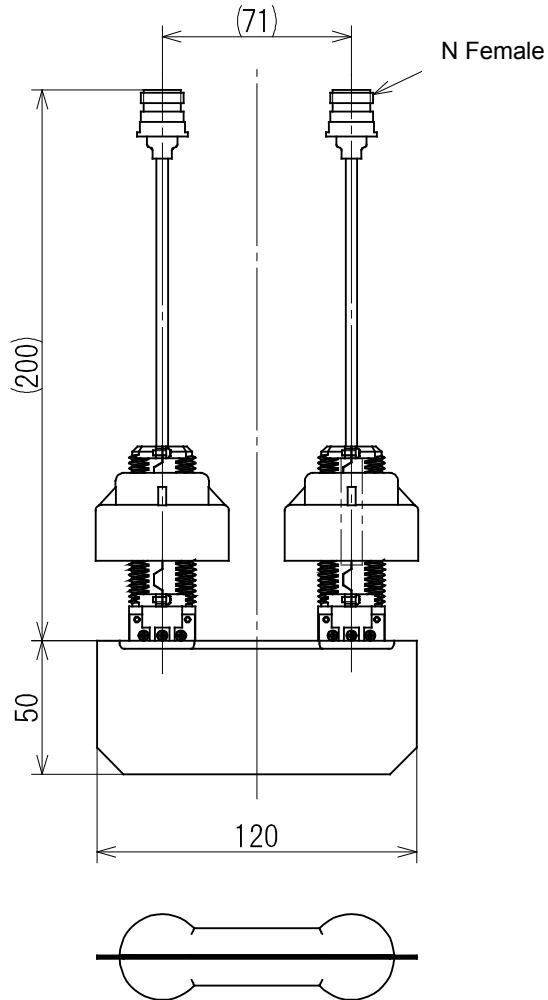


3.5GHz band

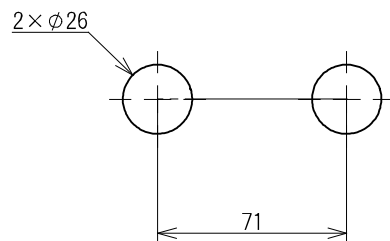
Specifications are subject to change without notice

Type GN00068

## Antenna Dimensions



## Pattern of holes into the ceiling



The design and sizes are subject to change without notice.