

NINJA ANTENNA™

-Seamless Integration with Environment and High-Speed Communication-



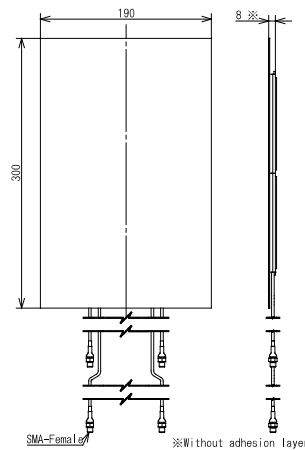
Film Wrap Antenna®

4.7GHz 4MIMO Single-band 4400-4900 MHz , 70° , 9dBi, 0° Tilt
Flexible / Adhesive / Camouflageable / Invisible



Electrical Specifications

Frequency Range	4400MHz ~ 4900MHz
Half-Power Beam Width	Horizontal:70° Vertical:30°
Impedance	50 Ω
Polarization	$\pm 45^\circ$
V.S.W.R	≤ 2.0
Gain	Approx. 9dBi
Electrical Down tilt	0°
Max. Power per Input	20W
Operating temperature limit	-30~60 deg C
Dust / Water resistance	IEC 60529 IPX5
Weight	Approx. 200g



Horizontal

Vertical

