

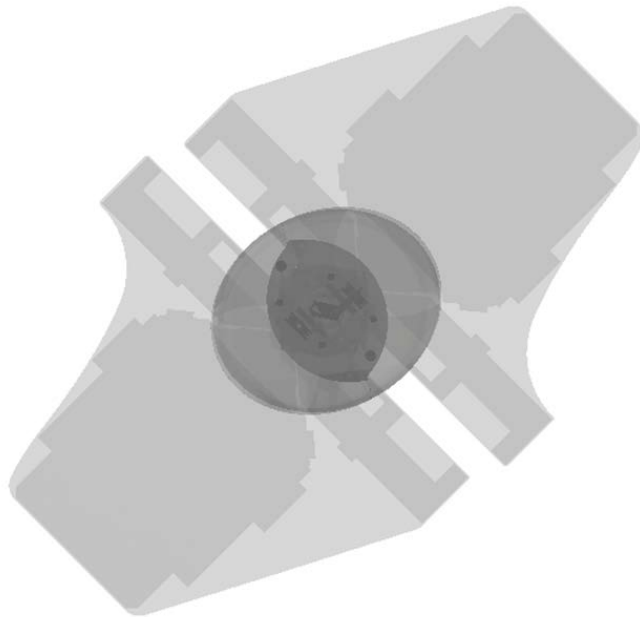
NINJA ANTENNA™

-Seamless Integration with Environment and High-Speed Communication-



Transparent Antenna

Indoor Multi-band Omni Antenna Horizontal Polarization [H*2]



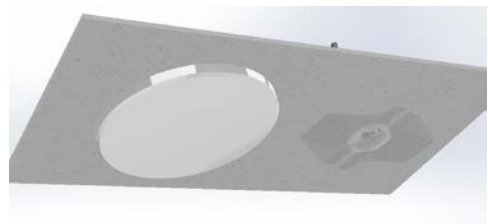
Specifications

Frequency Band [MHz]	617-960	1427-2170	2545-5850	5850-7200
Impedance	50Ω			
Polarization	Horizontal			
VSWR	≤ 2.0			
Gain	2 dBi	3 dBi	4 dBi	5 dBi
Isolation	> 15dB	> 17dB	> 20dB	
Max. Power per Input	50W			
IM3	< -150dBc @20W×2			
Operating Temperature	-10℃ ~ 50℃			
Operating Humidity	5 ~ 95%			
Weight	400g			
Dimensions	355mm×240 mm			

Type **VT-M0672-002**

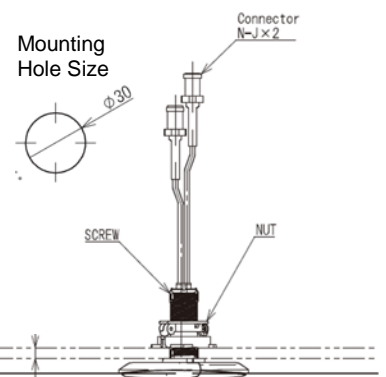
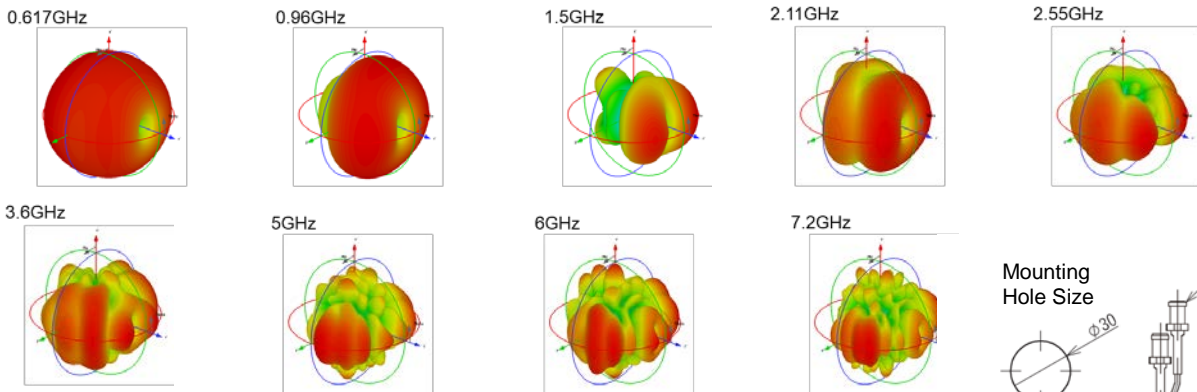
Connector Type	N Connector - female
Cable Type	Semi-Flexible Coaxial Cable
Cable Length	≥80mm
Cable Diameter	Cable Diameter: 4.5mm / Insulator Diameter: 3.0mm
Antenna Material	Plastics

Installation Picture

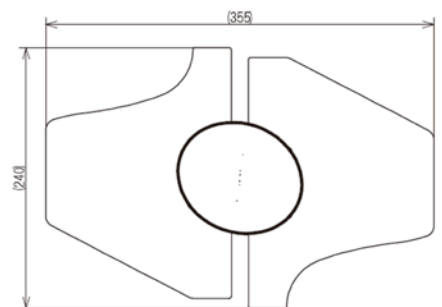
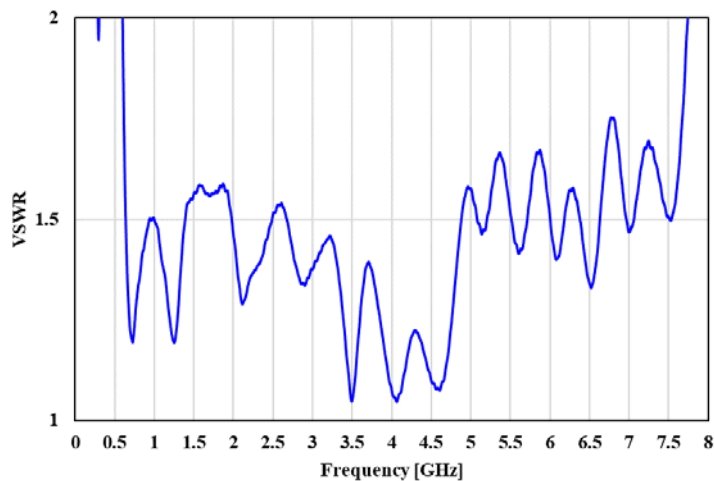


Ordinary Antenna vs Transparent Antenna

Radiation Patterns



VSWR Reference



This publication is issued to information only and is not to form part of any order or contract DENGYO reserves the right to changes specifications without prior notice.