

NINJA ANTENNA™

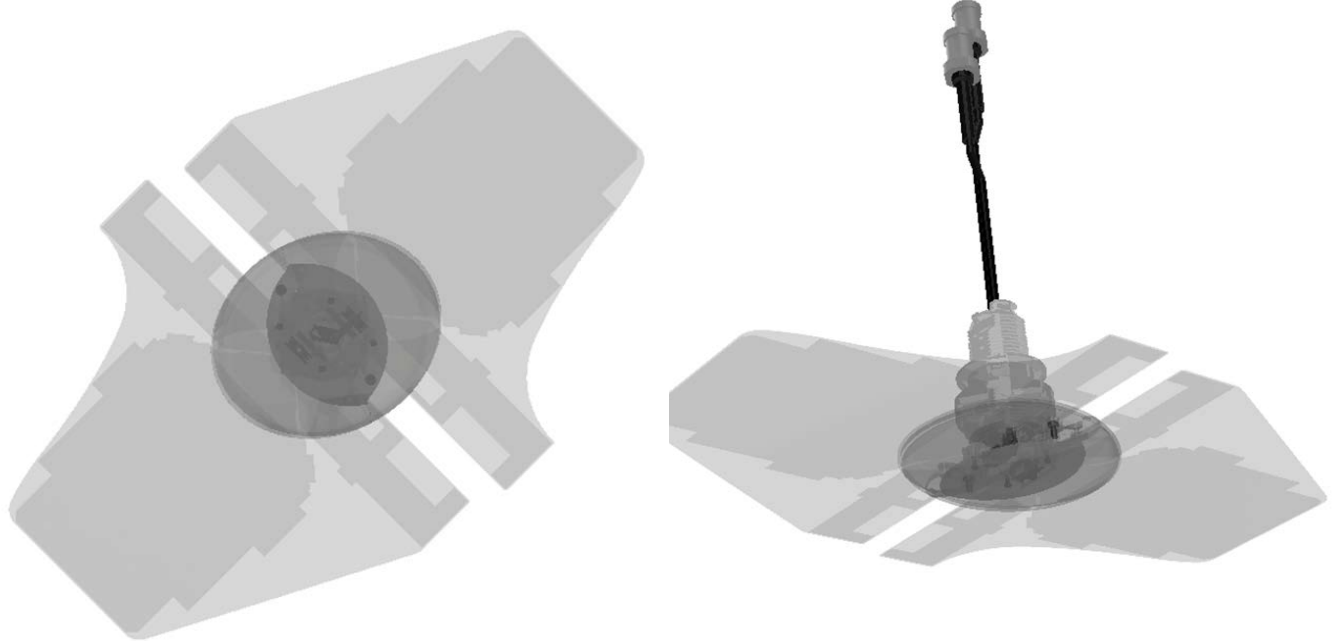
(((())))

-Seamless Integration with Environment and High-Speed Communication-



Transparent Antenna

Indoor Multi-band Omni Antenna Horizontal Polarization [H*2]

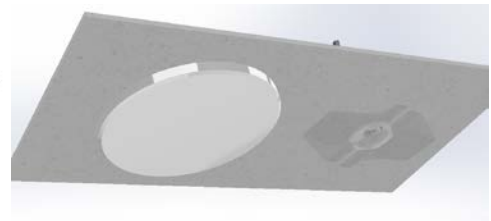


Specifications

Frequency Band [MHz]	617 -698	698 -960	1428 -1511	1710 -2700	3300 -4200	4400 -5000	5000 -5850	5850 -7200
VSWR	≤ 2.0	≤ 1.6	≤ 2.0	≤ 2.0	≤ 1.9	≤ 1.8	≤ 2.0	≤ 2.0
*At Frequencies not Listed:	≤ 2.0							
Gain	2 dBi		3.5 dBi	4.0 dBi		5.0 dBi		5.5 dBi
Isolation	> 15dB				> 20dB		> 25dB	
Impedance	50Ω							
Polarization	Horizontal							
IM3	< -150dBc @20W×2							
Max. Power per Input	50W							
Operating Temperature	-10°C ~ 50°C							
Operating Humidity	5 ~ 95%							

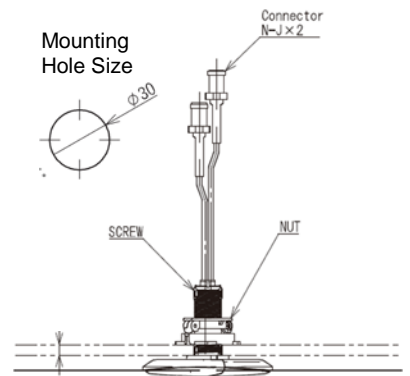
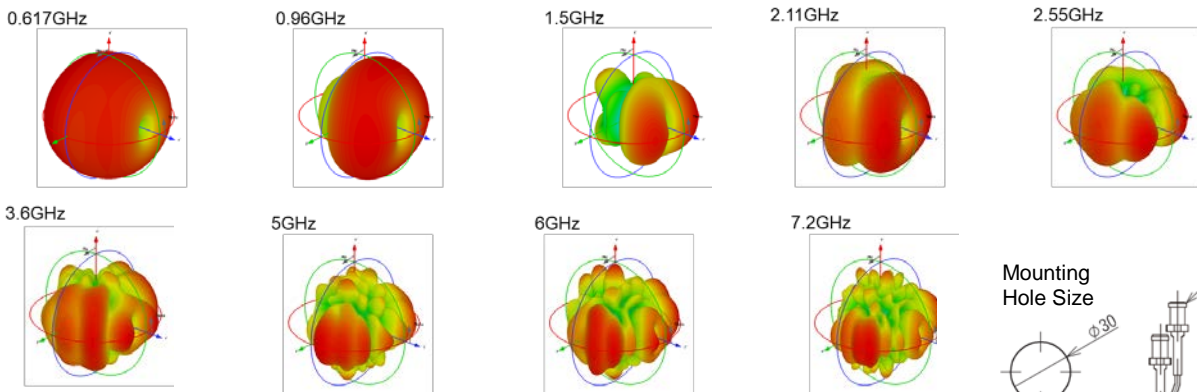
Weight	400g
Dimensions	355mm×240 mm
Connector Type	N Connector – female / 4.3-10
Cable Type	Semi-Flexible Coaxial Cable
Cable Length	≥80mm
Cable Diameter	Cable Diameter: 4.5mm / Insulator Diameter: 3.0mm

Installation Picture

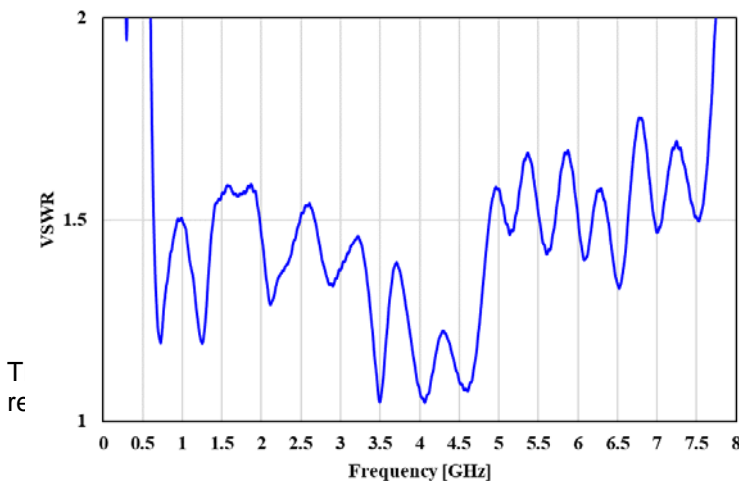


Ordinary Antenna vs Transparent Antenna

Radiation Patterns



VSWR Reference



part of any order

Copyright © 2024 D

