

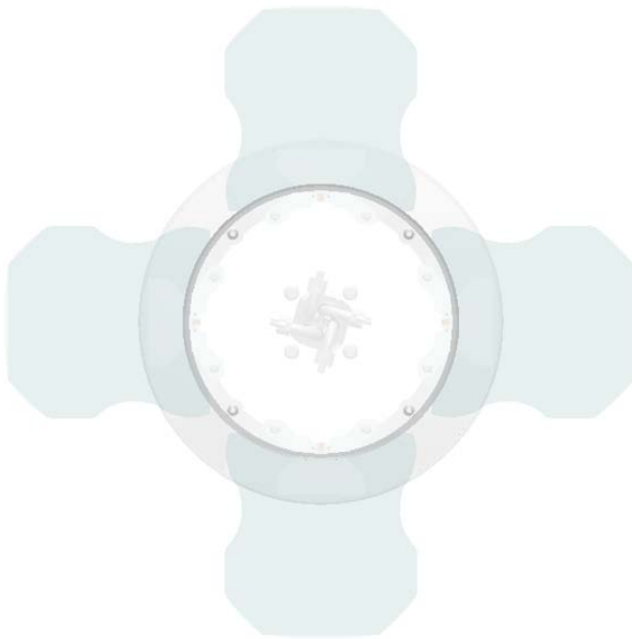
# NINJA ANTENNA™

-Seamless Integration with Environment and High-Speed Communication-



## Transparent Antenna

Indoor Multi-band Omni Antenna Horizontal Polarization [H\*4]



### Specifications

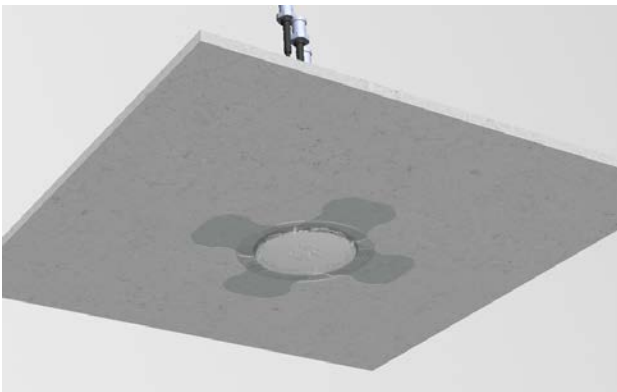
Frequency Band [MHz]	1710-1850	1850-2700	2700-5000	5000-7200
Impedance	50Ω			
Polarization	Horizontal			
VSWR	≤ 2.0			
Gain	3 dBi	4 dBi	5 dBi	
Isolation	> 15dB		> 17dB	> 18dB
Max. Power per Input	50W			
IM3	< -150dBc @20W×2			
Operating Temperature	-10°C ~ 50°C			
Operating Humidity	5 ~ 95%			
Weight	400g			
Dimensions	230mm × 230mm			

This publication is issued to information only and is not to form part of any order or contract DENGYO reserves the right to changes specifications without prior notice.

Type **VT-M1772-002**

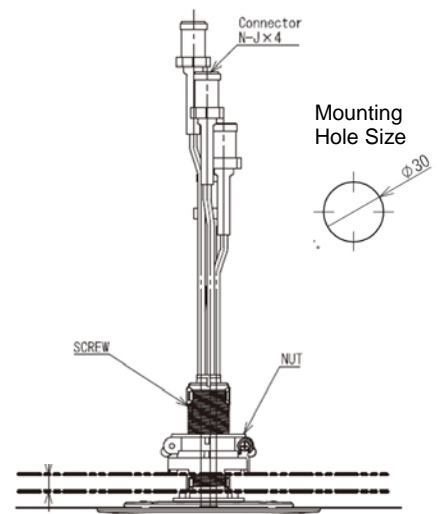
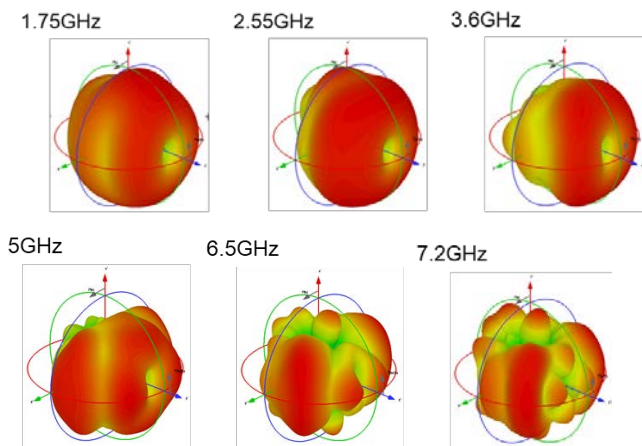
Connector Type	N Connector - female
Cable Type	Semi-Flexible Coaxial Cable
Cable Length	≥80mm
Cable Diameter	Cable Diameter: 4.5mm / Insulator Diameter: 3.0mm
Antenna Material	Plastics

### Installation Picture

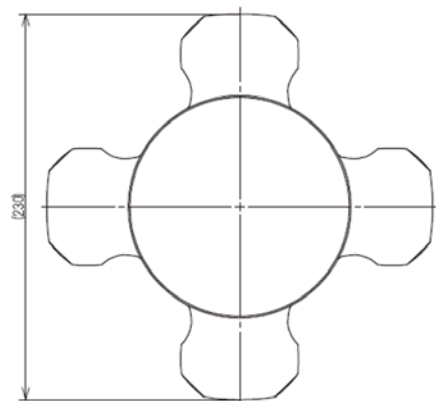
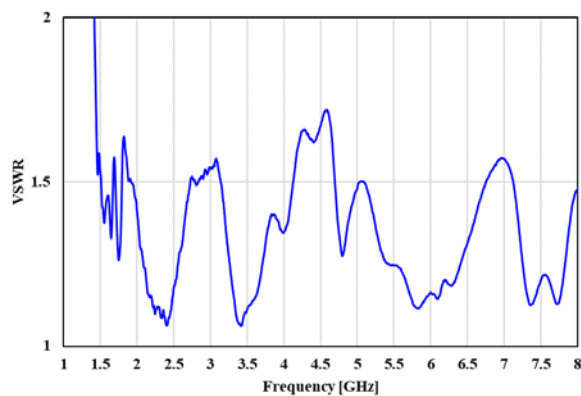


Ordinary Antenna vs Transparent Antenna

### Radiation Patterns



### VSWR Reference



This publication is issued to information only and is not to form part of any order or contract DENGYO reserves the right to changes specifications without prior notice.