

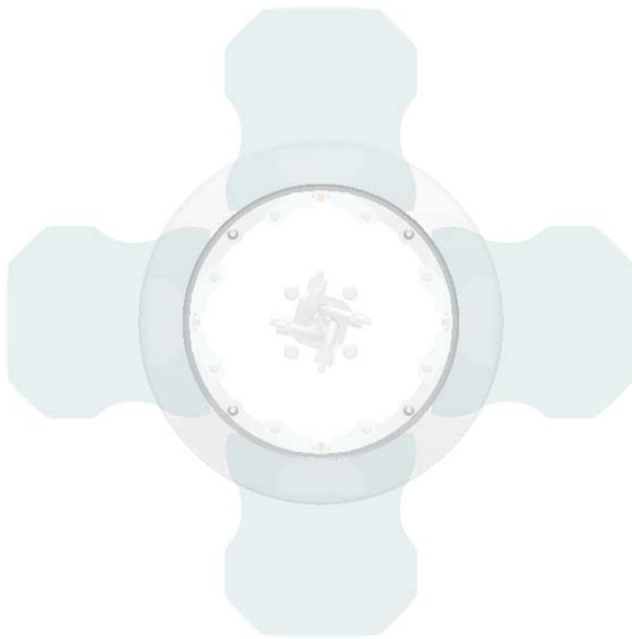
# NINJA ANTENNA™

-Seamless Integration with Environment and High-Speed Communication-



## Transparent Antenna

Indoor Multi-band Omni Antenna Horizontal Polarization [H\*4]



### Specifications

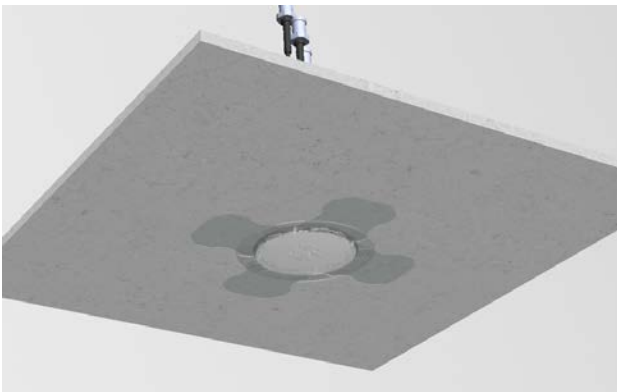
Frequency Band [MHz]	1710-2700	3300-4200	4400-5000	5000-5850	5850-7200
VSWR	≤1.9		≤2.0	≤1.8	≤1.9
Gain	4.0 dBi	4.5 dBi	5.0 dBi	5.5 dBi	
Isolation	> 15dB	>20dB	>22dB		>18dB
Impedance	50Ω				
Polarization	Horizontal				
Max. Power per Input	50W				
IM3	< -150dBc @20W×2				
Operating Temperature	-10°C ~ 50°C				
Operating Humidity	5 ~ 95%				
Weight	400g				
Dimensions	230mm × 230mm				

This publication is issued to information only and is not to form part of any order or contract DENGYO reserves the right to changes specifications without prior notice.

Type **VT-M1772-002**

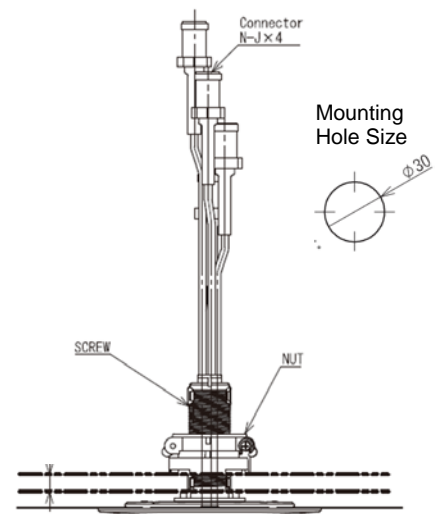
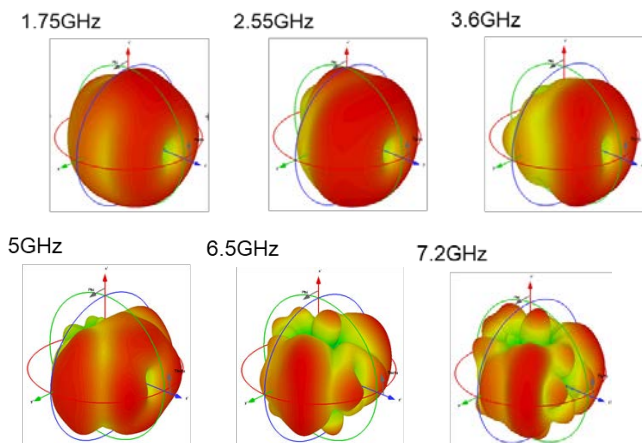
Connector Type	N Connector
Cable Type	Semi-Flexible Coaxial Cable
Cable Length	≥80mm
Cable Diameter	Cable Diameter: 4.5mm / Insulator Diameter: 3.0mm
Antenna Material	Plastics

### Installation Picture

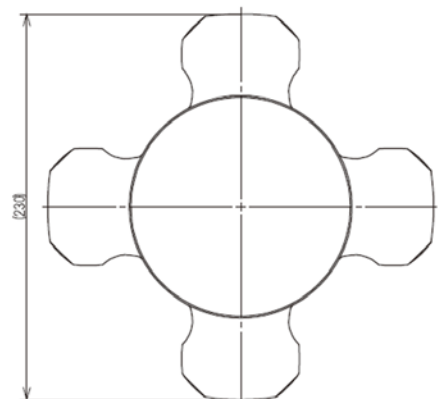
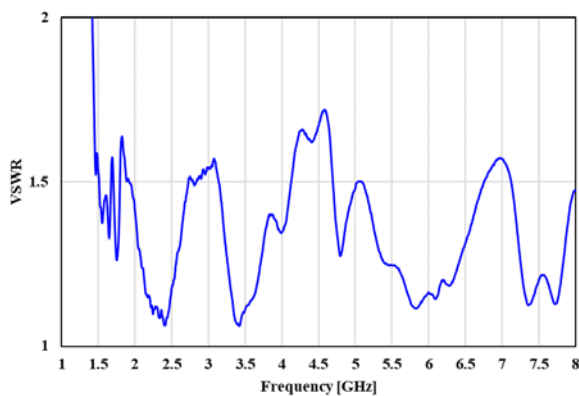


Ordinary Antenna vs Transparent Antenna

### Radiation Patterns



### VSWR Reference



This publication is issued to information only and is not to form part of any order or contract DENGYO reserves the right to changes specifications without prior notice.